

Cutter Head

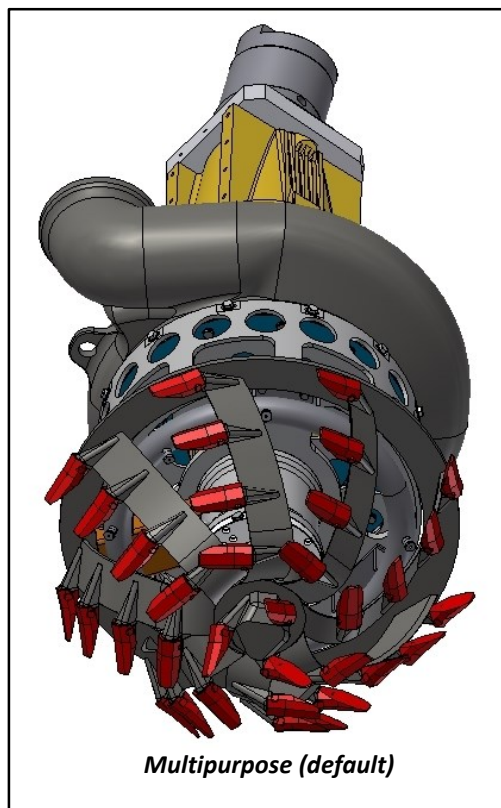
DTM400

TECHNICAL SPECIFICATIONS

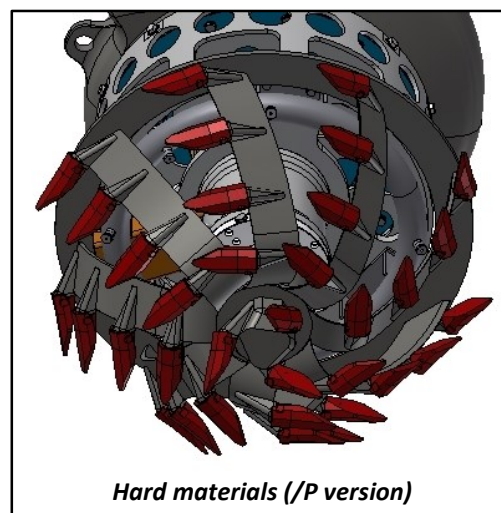
Torque [kNm]	9.1
Blades/Teeth n°	8/32+3
Weight [kg]	720

HYDRAULIC MOTOR

Displacement [cc]	2500
Max. oil flow rate [l/min]	125
Max. pressure [bar]	250
Power [kW-HP]	52-70.4
Speed [RPM]	50



Multipurpose (default)



Hard materials (/P version)

