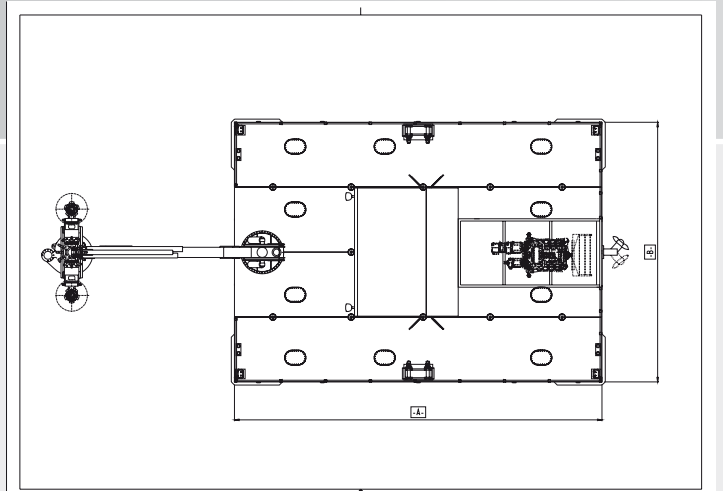
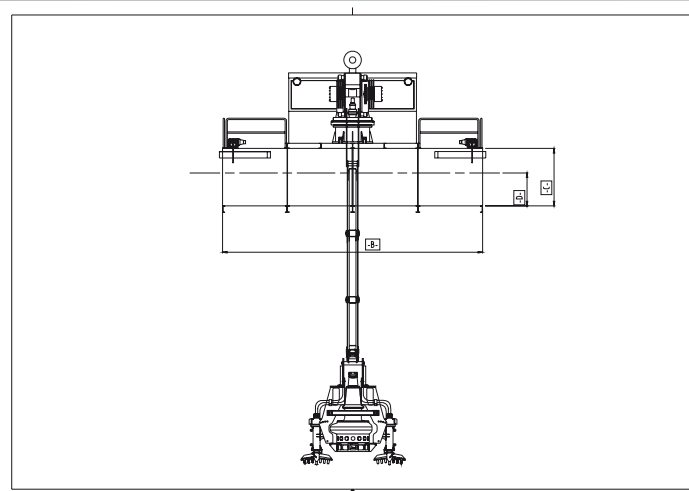
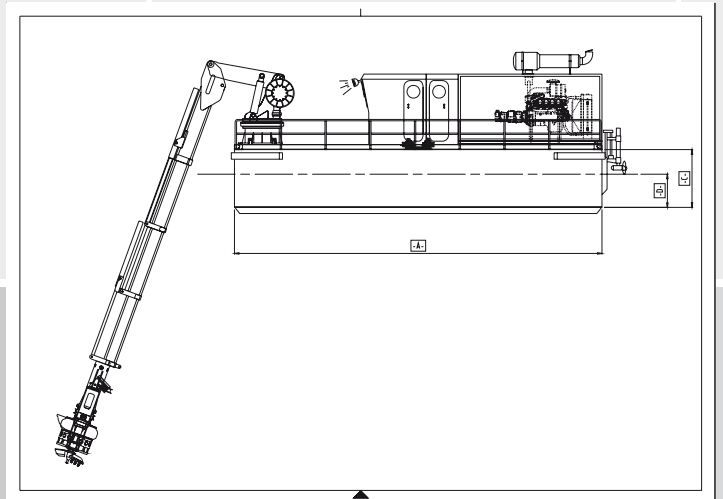


# DRT Series DREDGE with TELESCOPIC BOOM

	DRT 035/050/085	DRT 300/400
<b>Main dimensions</b>		
Length [a]	8 m	12 m
Width [b]	6 m	8 m
Height [c]	1,5 m	1,8 m
Modular Structure	3 steel floaters	4 steel floaters
Oil capacity	220 liters	430 liters
Fuel capacity	540 liters	1260 liters
Protection	Antifouling paint and cathodic protection Beams anti-breakthrough	
Certification	R.I.N.A. Certification	
<b>Pump handling</b>		
Pump handling	N°1 telescopic boom	
Dredging Depth	Up to 20 m	
<b>Hydraulic Power Pack</b>		
Engine	Diesel/Electric motor	Diesel/Electric motor
Electric plant	12/24 V	12/24 V
Hydraulic plant	No. 1 oil pump variable flow – dredging pump No. 1 oil pump variable flow - excavators No. 1 oil pump variable flow - winches and telescopic boom	
<b>Dredging unit</b>		
Dredging Pump	Dragflow Pump HY35, HY50, HY85 or HY85/160	Dragflow Pump HY300 or HY400
Delivery	From 100 to 250 mm	From 250 to 350 mm
Impeller diameter	From 380 mm a 490 mm	760 mm
Capacity	From 100 to 850 m <sup>3</sup> /h of mixture	From 720 to 1200 m <sup>3</sup> /h of mixture
Solid Capacity	25-30%	25-30%
Discharge distance	Up to 600 m	Up to 1 Km
Solid handling	From 35 to 90 mm	120 mm
Weight	From 500 to 1000 Kg	From 3500 to 3600 Kg



	DRT 035/050/085	DRT 300/400
<b>Excavators and Jet-Ring</b>		
Excavators	Dragflow EXHY20 and EXHY35 Power from 11 kW/30 RPM to 30 kW/50 RPM	
Jet Ring	Breakup with jet of water at high pressure From 30 to 200 m <sup>3</sup> /h at 6-8 bar	
<b>Operator Cabin</b>		
Features	<ul style="list-style-type: none"> <li>- Side opening doors with lock</li> <li>- Air conditioning with heat pump</li> <li>- Hydraulic and electric controls</li> <li>- Front position, navigation and maintenance lights</li> </ul>	
<b>Winches</b>		
Type	N° 4 hydraulic winches	
Length	50 meters (or longer)	
1° layer	5,7 mt. - 4600 Kg	
Diameter	12 mm	
<b>Equipment</b>		
Base	Hull complete with oil-pressure plant, protection by plastic bad weather cloth and with central system controls next to the plant	
Full Optional	Hull complete with soundproof, oil-pressure plant and operator cabin with air conditioning and central system controls	